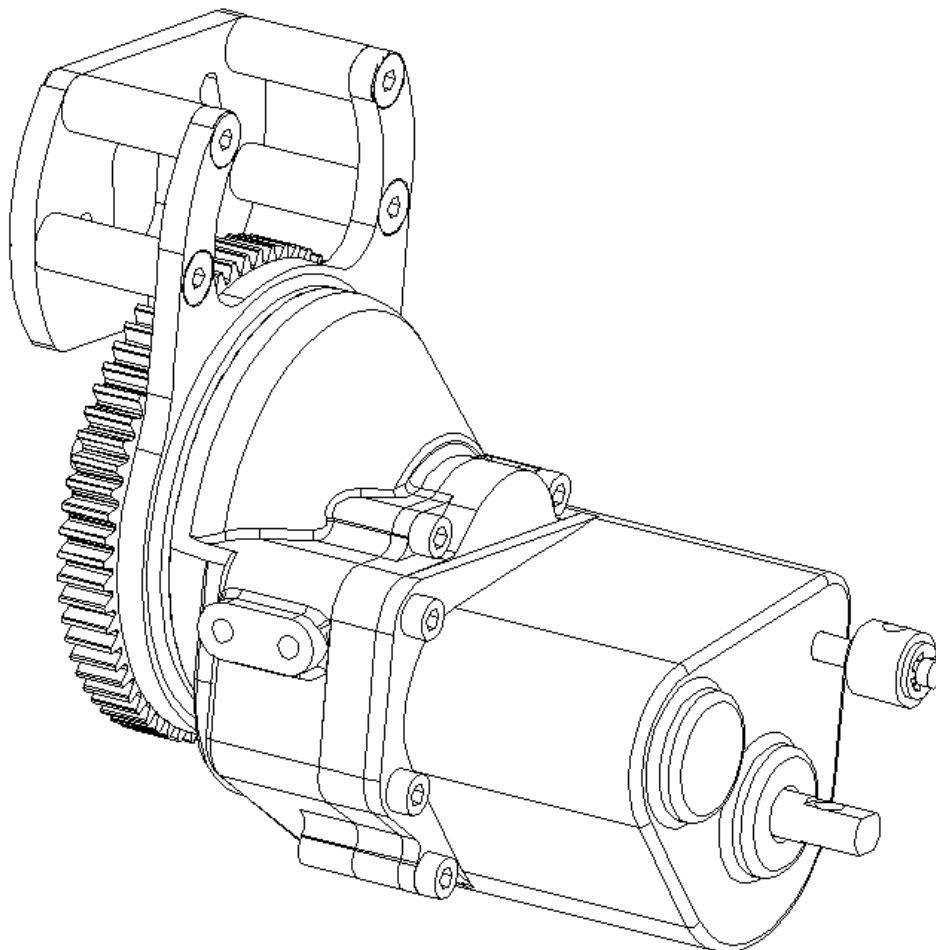
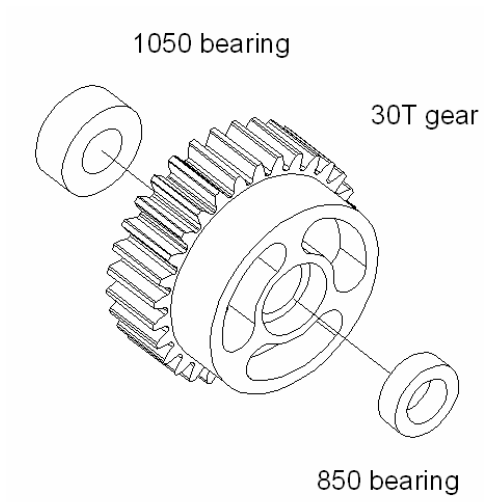


# RC4WD R3 2 Speed Transmission

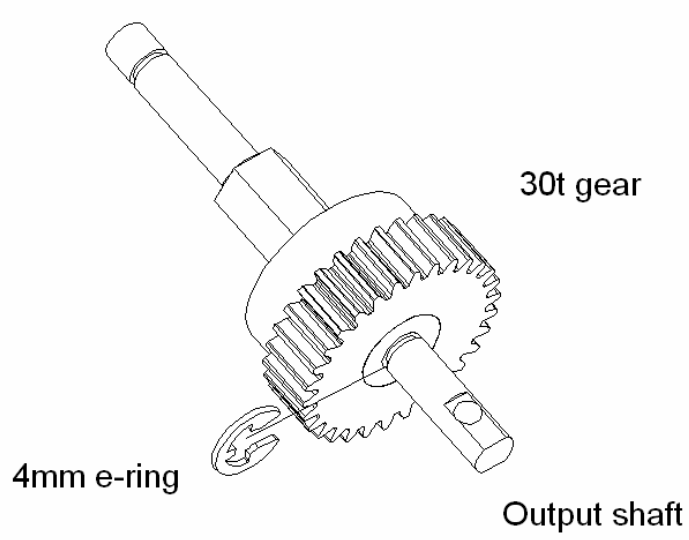
## Assembly Instructions



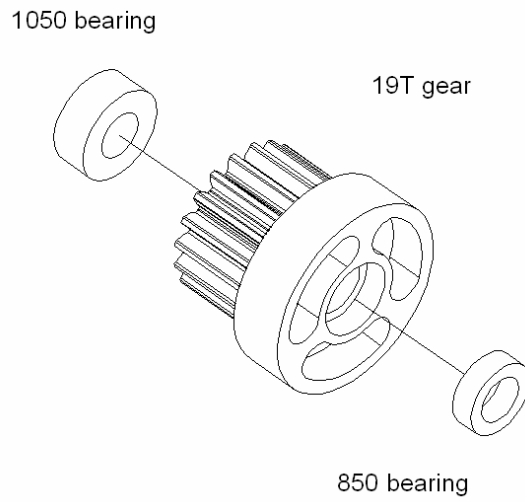
1



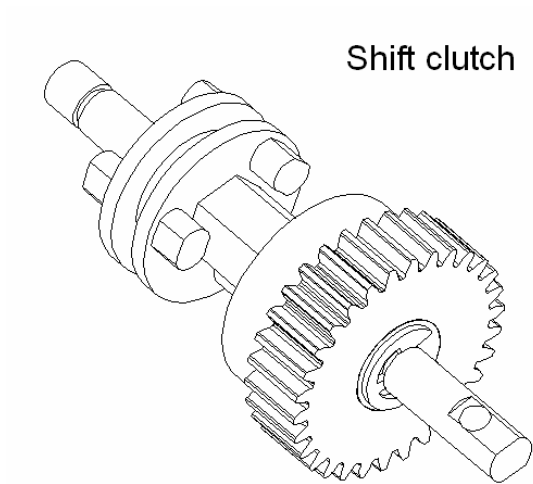
2



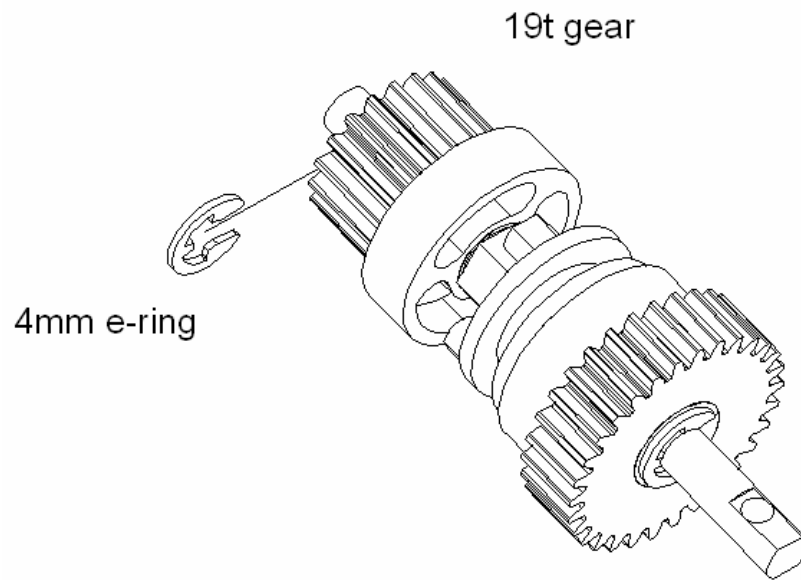
3



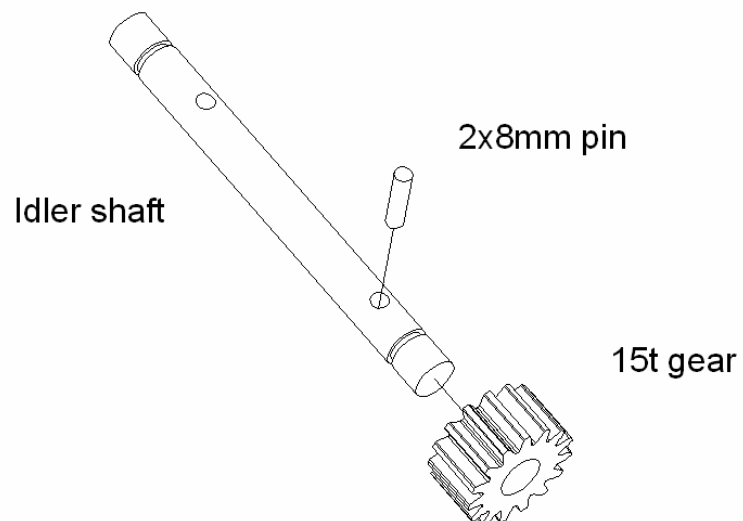
4



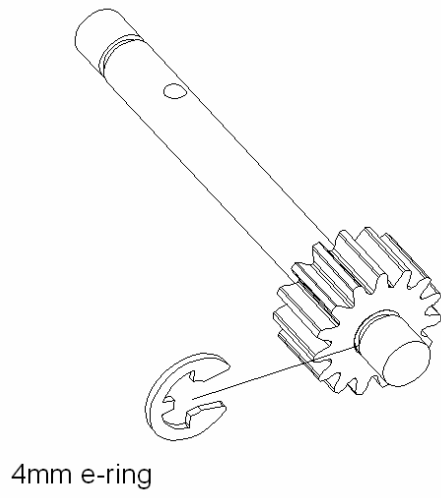
5



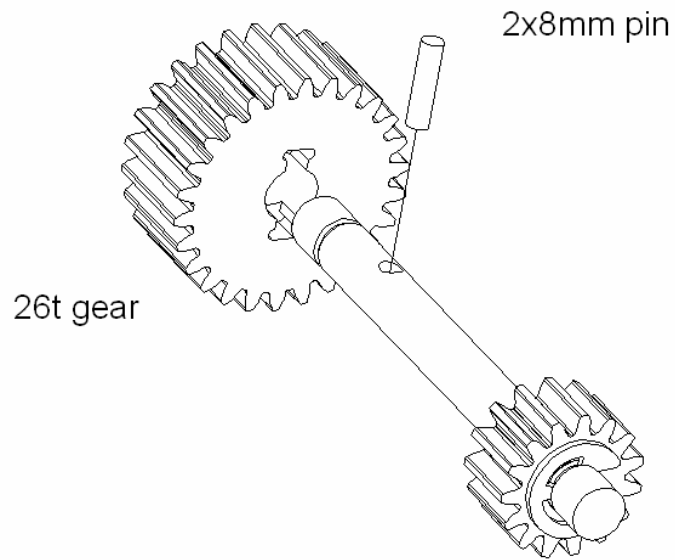
6



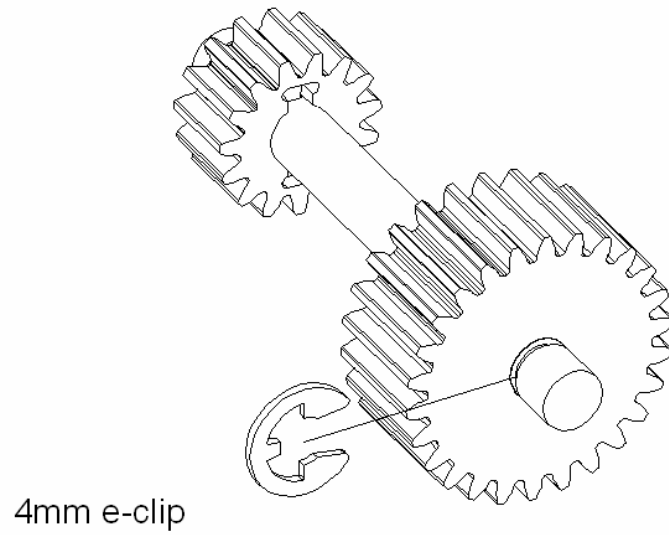
7



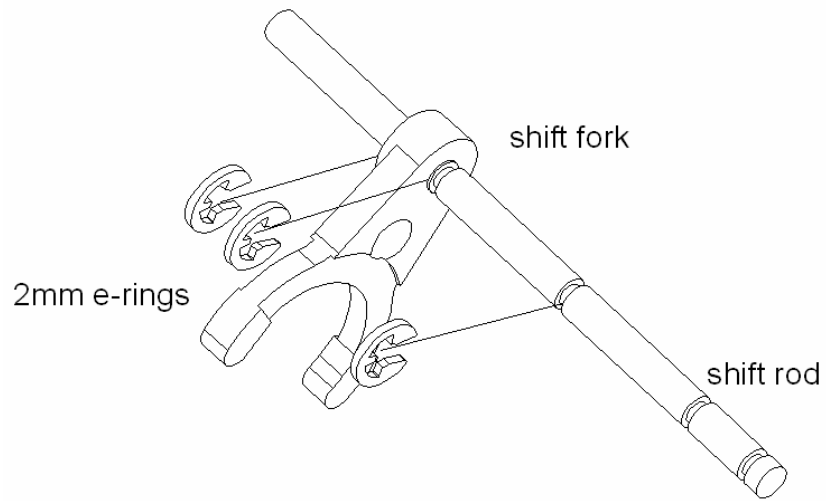
8



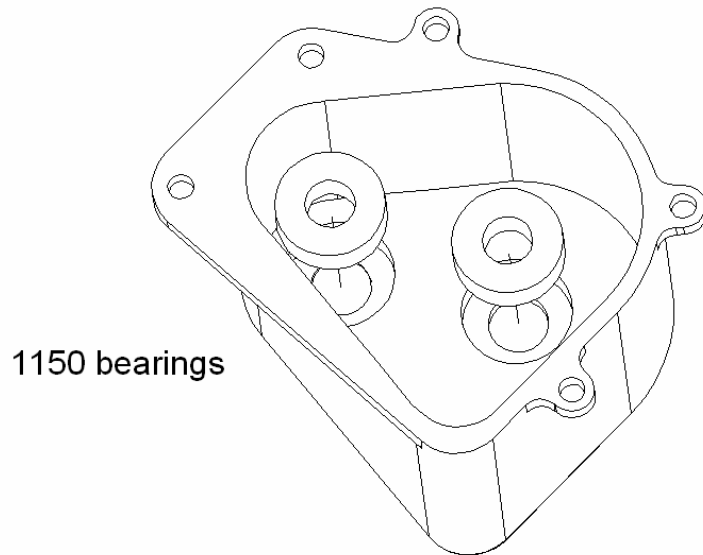
9



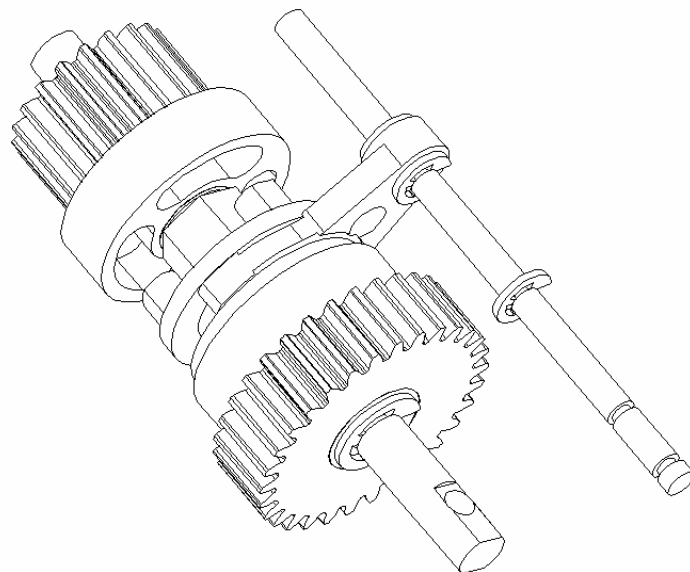
10



11

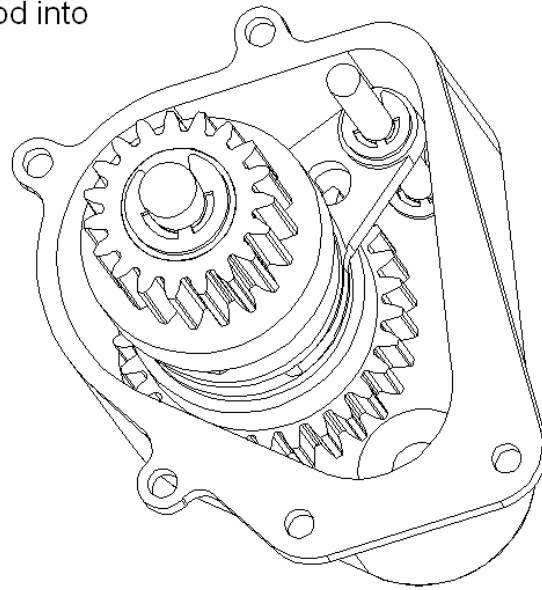


12



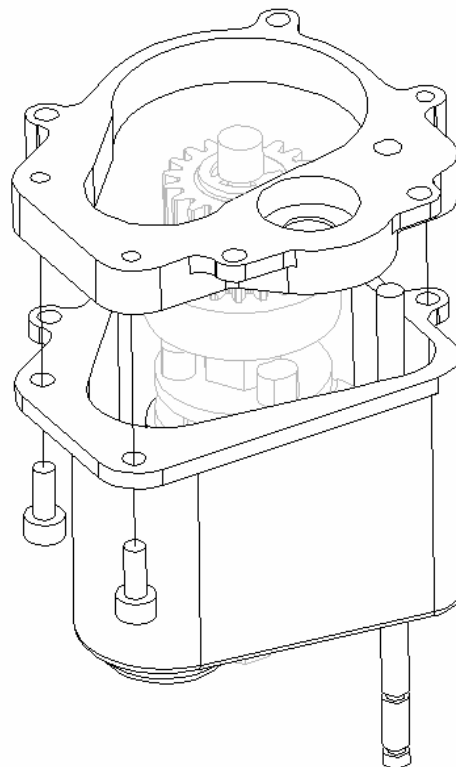
13

Install output shaft  
and shift rod into  
housing

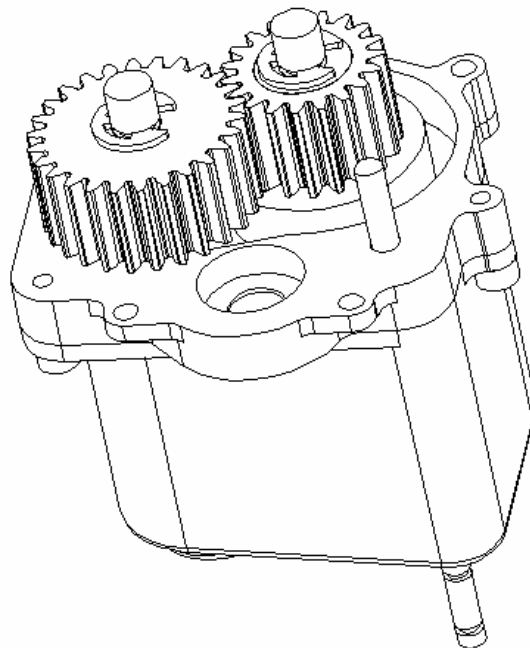
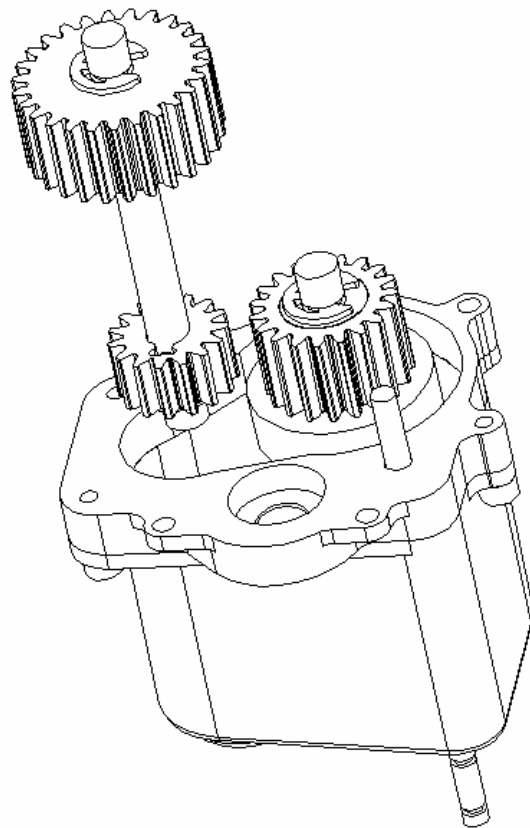


14

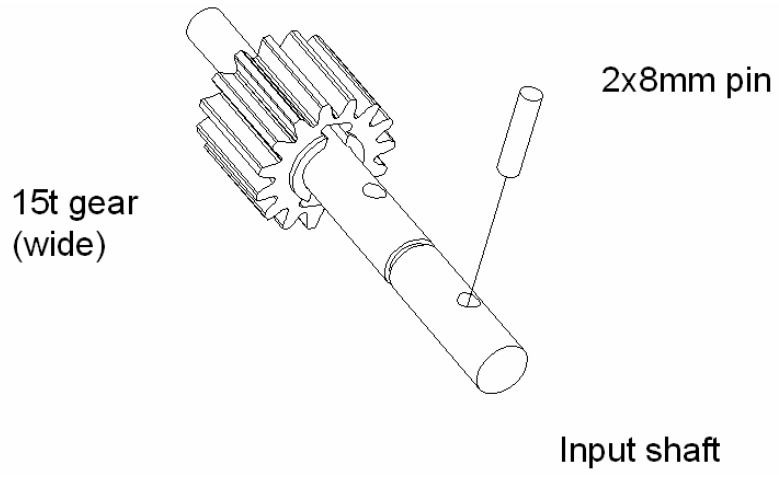
M2.5x6mm



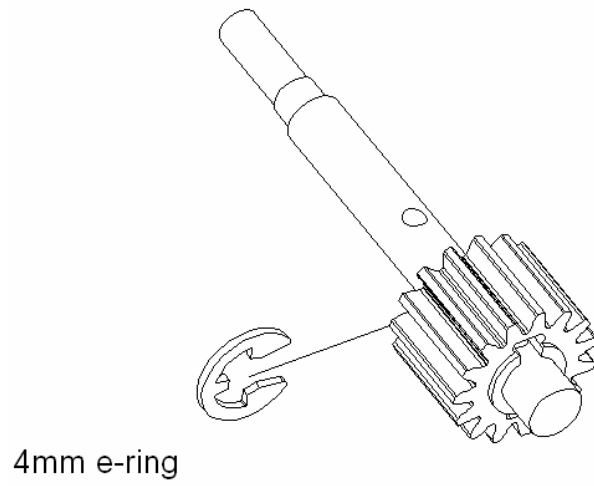
15



16



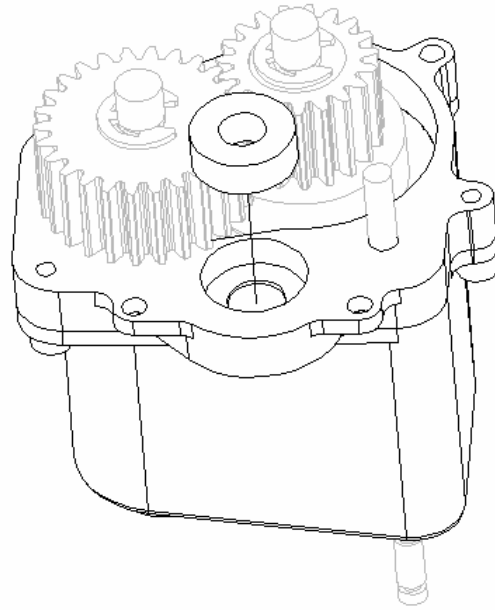
17



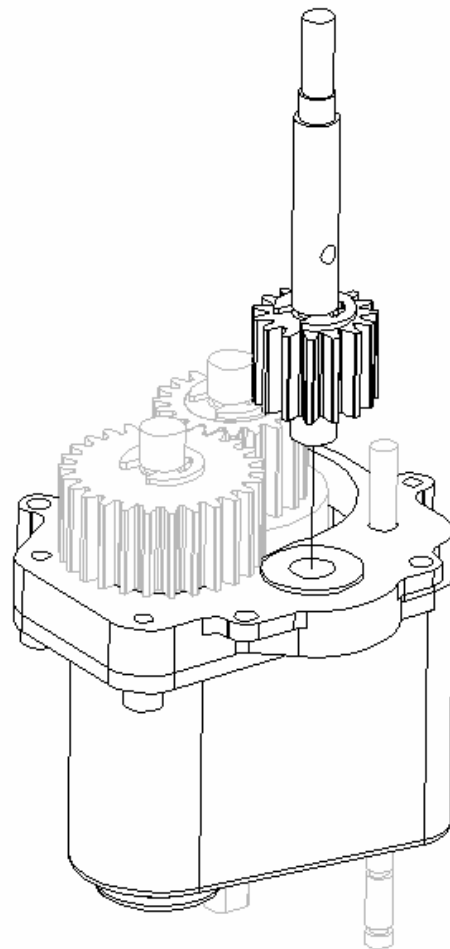


18

1150 bearing

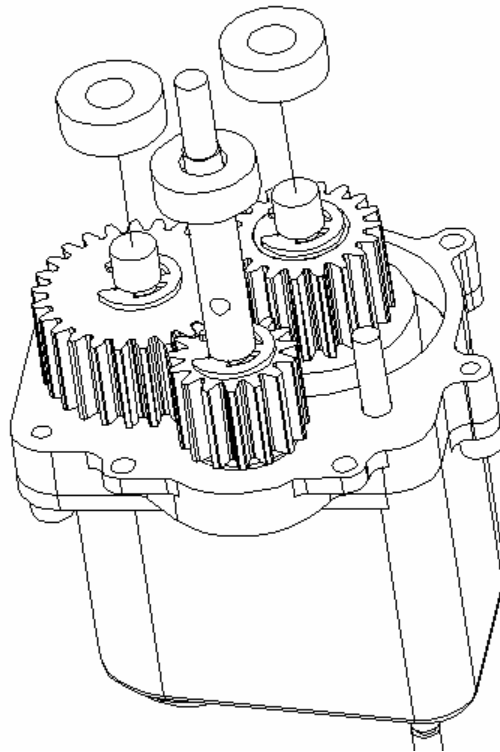


19

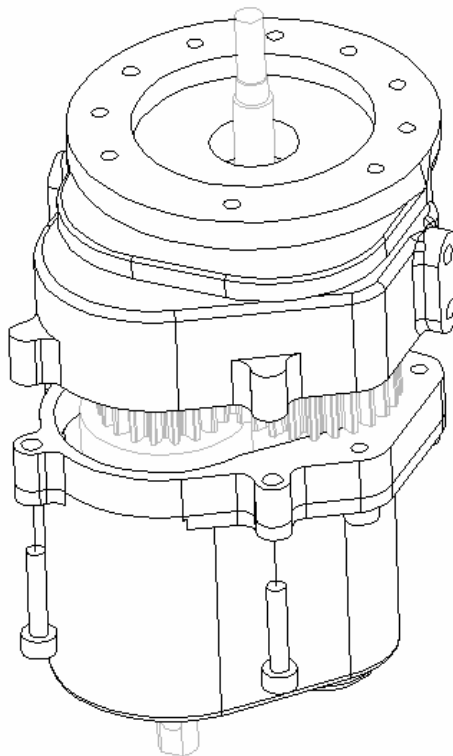


20

1150 bearings

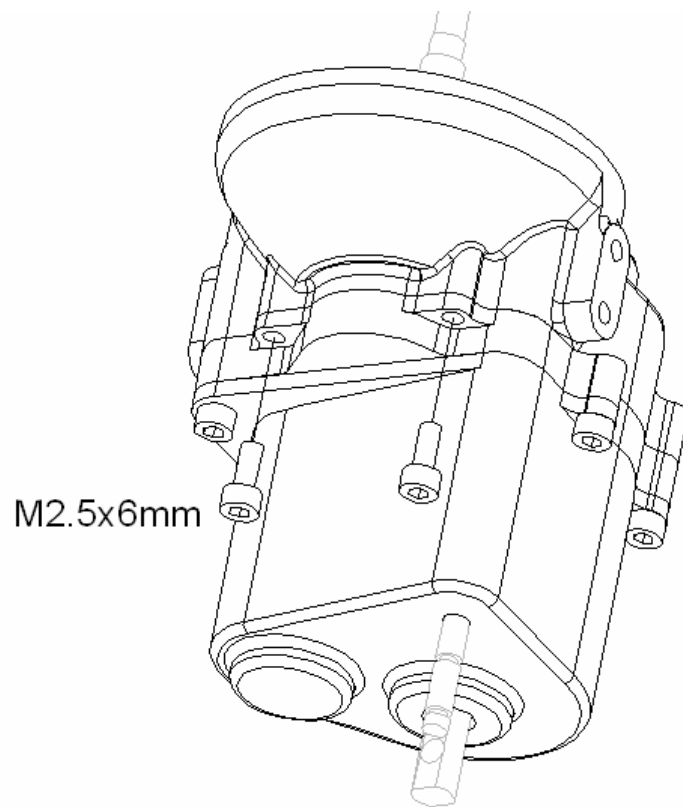


21

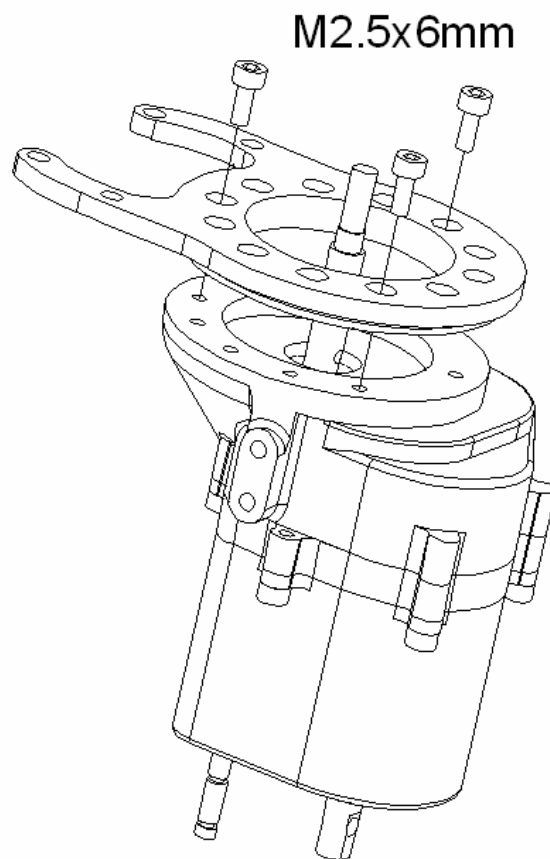


M2.5x12mm

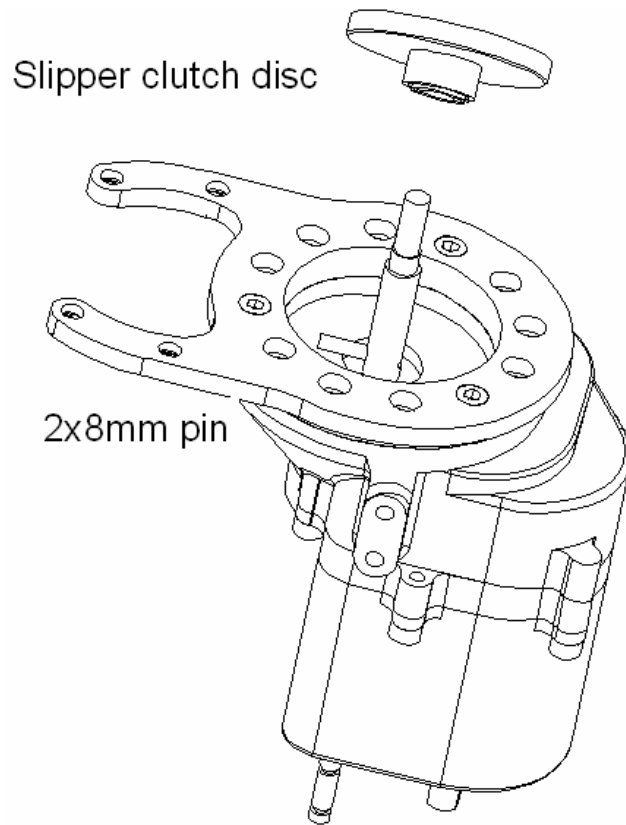




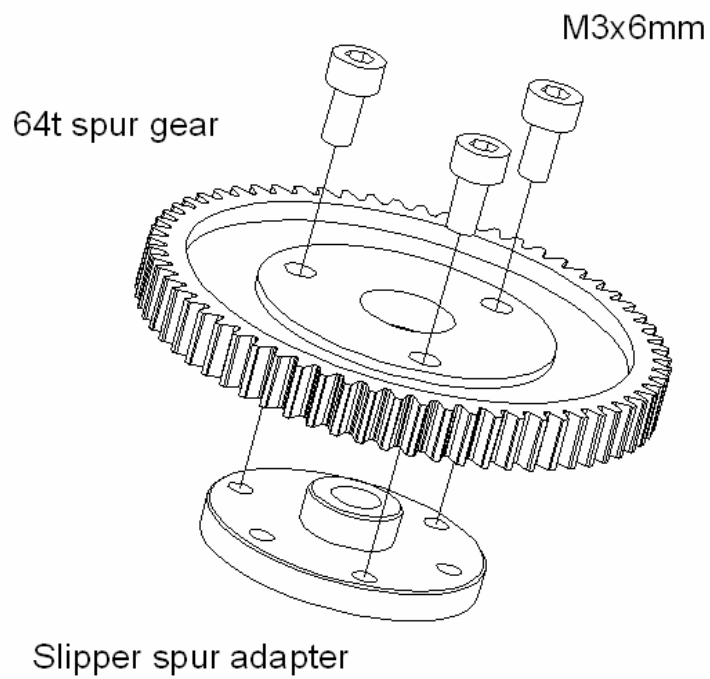
22



23

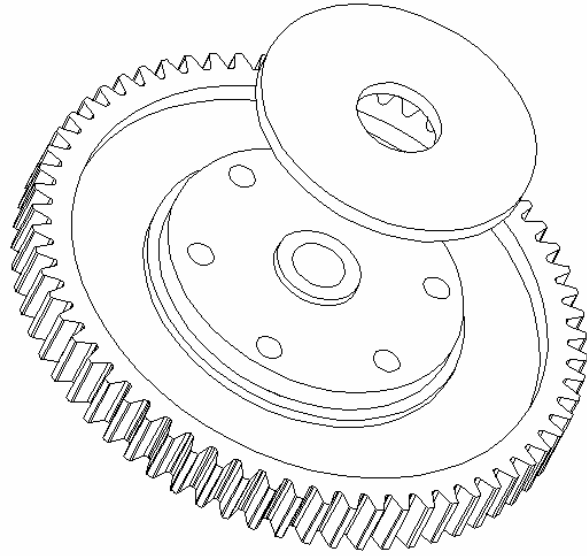


24

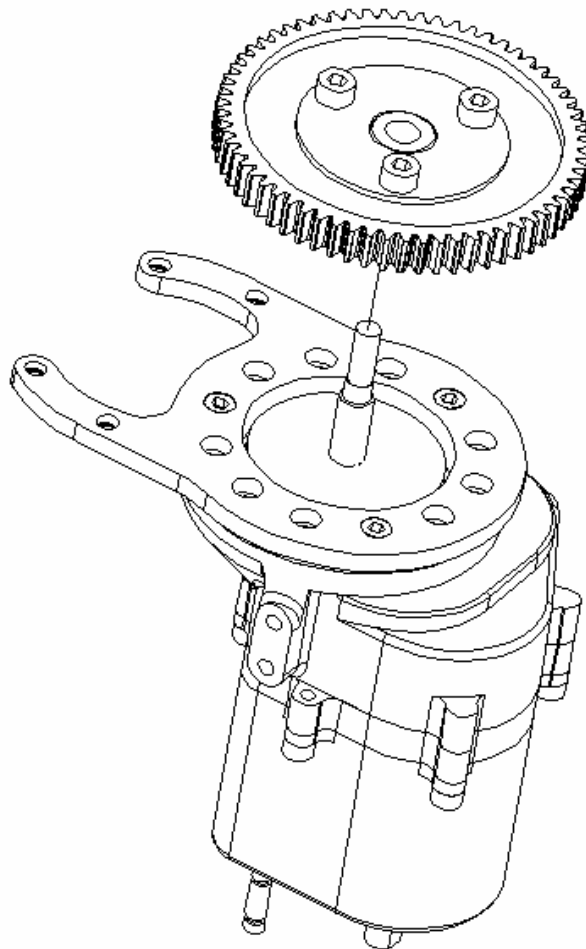


25

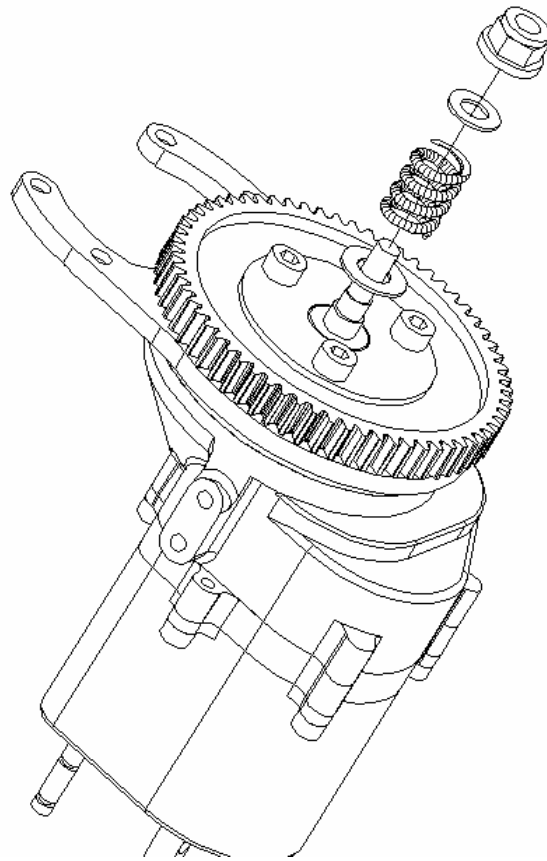
Slipper clutch pad



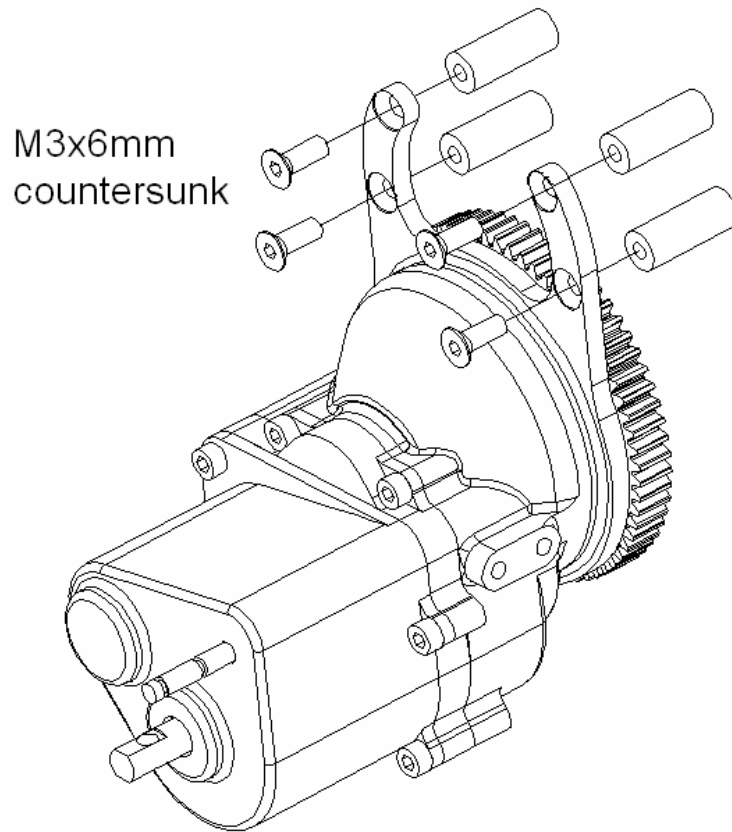
26



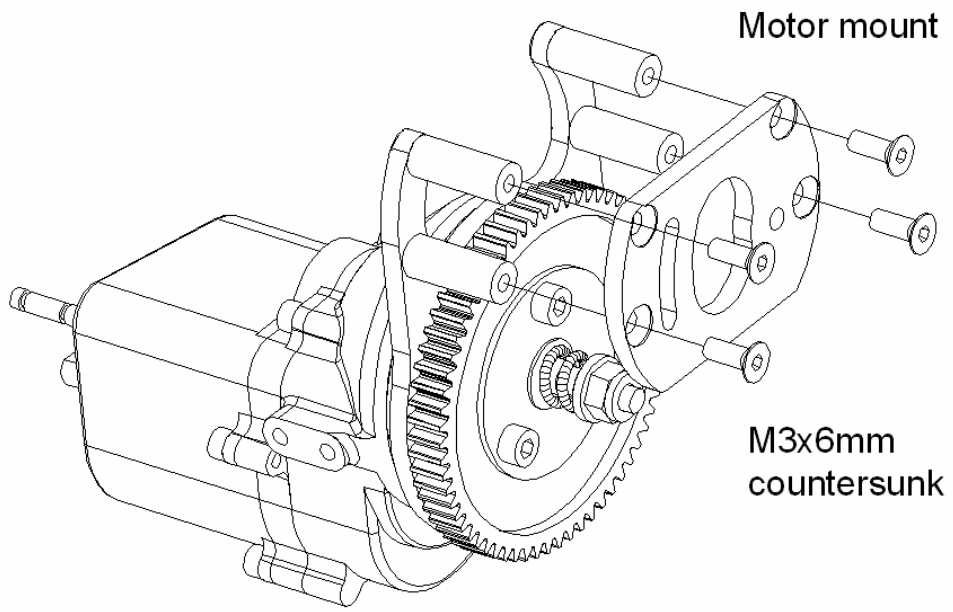
27



28



29



30

